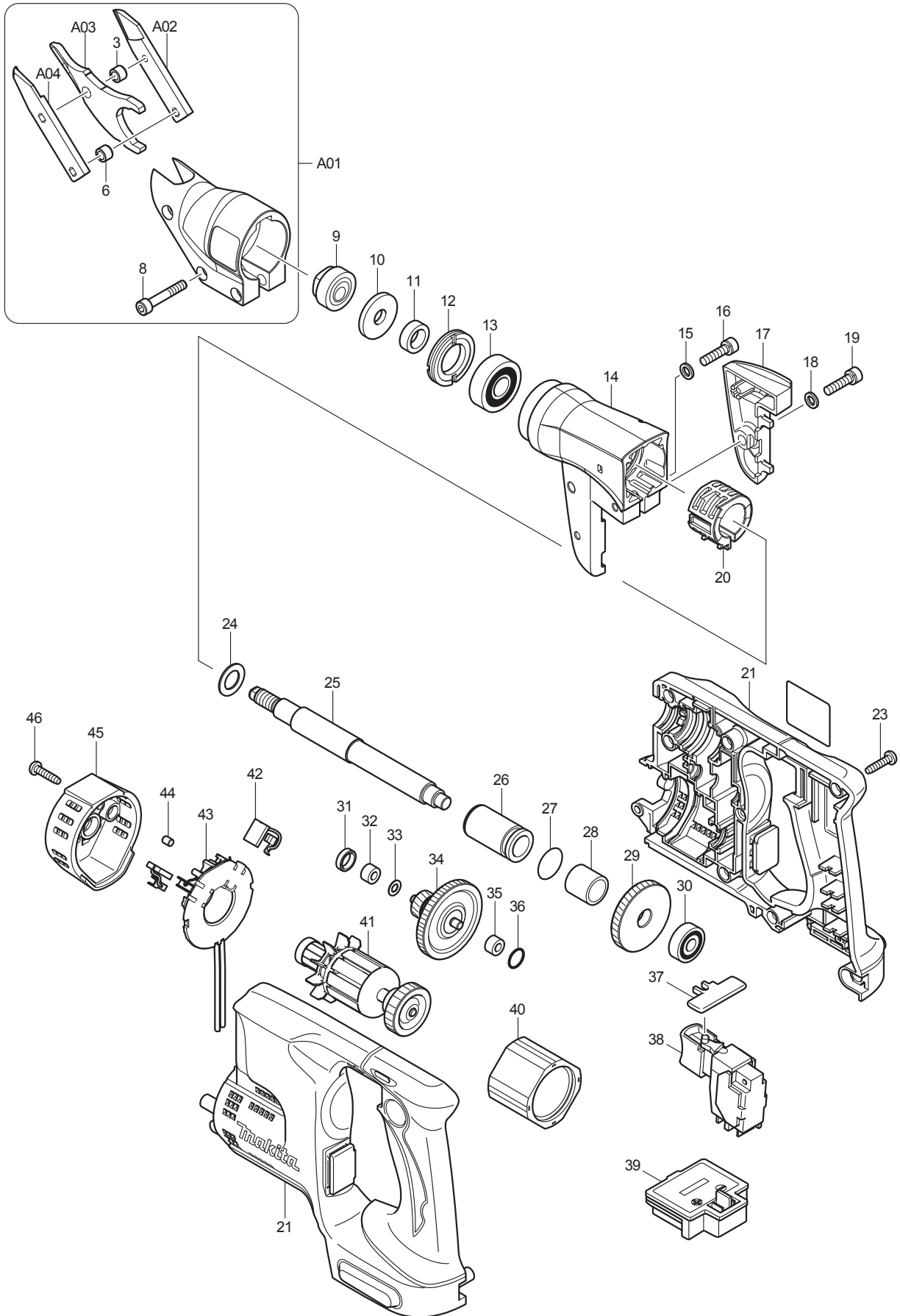




09 - 2011
BJS130 / BJS130Z / BJS130F
18V METAL SHEAR KIT



Item No	Type	Ref	Re Part No	Description	Qty	Unit
3			257705-5	SLEEVE 5	1	PC.
6			257705-5	SLEEVE 5	1	PC.
8			266268-0	HEX. SOCKET HEAD BOLT	3	PC.
9			125111-1	BEARING ASS'Y	1	PC.
10			267223-5	FLAT WASHER 10	1	PC.
11			257173-2	RING 12	1	PC.
12			285802-7	BEARING RETAINER 19-33	1	PC.
13			211129-9	BALL BEARING 6201DDW	1	PC.
14			158795-0	BARREL COMPLETE	1	PC.
14		INC.	810425-8	CAUTION LABEL	1	PC.
15			941102-2	FLAT WASHER 5	1	PC.
16			922231-0	HEX. SOCKET HEAD BOLT M5X20	1	PC.
17			450757-7	HOLDER	1	PC.
18			941102-2	FLAT WASHER 5	1	PC.
19			922231-0	HEX. SOCKET HEAD BOLT M5X20	1	PC.
20			450755-1	CLAMPER	1	PC.
21	1		188540-9	* HOUSING SET	1	SET
	2		187480-8	* HOUSING SET	1	SET
23			265995-6	TAPPING SCREW 4X18	9	PC.
24			253744-3	FLAT WASHER 12	1	PC.
25			324937-0	SPINDLE	1	PC.
26			214174-3	PLANE BEARING 14	1	PC.
27			213262-3	O RING 18	1	PC.
28			257773-8	SLEEVE 14	1	PC.
29			226686-4	HELICAL GEAR 39	1	PC.
30			211034-0	BALL BEARING 608	1	PC.
31			165115-1	RUBBER SLEEVE 10	1	PC.
32			214017-9	PLANE BEARING 5	1	PC.
33			253811-4	FLAT WASHER 5	1	PC.
34			226154-7	GEAR COMPLETE 11-44	1	PC.
35			214017-9	PLANE BEARING 5	1	PC.
36			213055-8	O RING 10	1	PC.
37			450756-9	LOOK OFF LEVER	1	PC.
38	1		650575-5	* SWITCH TG513SBA	1	PC.
	2		650670-1	* SWITCH(TRIGGER)TG513SBA-2	1	PC.
39	1		643812-4	* TERMINAL, BLACK	1	PC.
	2		643843-3	* TERMINAL, YELLOW	1	PC.
	3		643860-3	* TERMINAL	1	PC.
40			638426-2	YOKE UNIT	1	PC.
41			619237-4	ARMATURE	1	PC.
42	1		194427-5	CARBON BRUSH CB-440 2PC/SET, W/O ORIGIN	1	SET
	2		195021-6	CARBON BRUSH CB-440 2PC/SET, W/ ORIGIN	1	SET
43			638433-5	BRUSH HOLDER COMPLETE	1	PC.
		INC.	231696-8	TORSION SPRING R	1	PC.
		INC.	231697-6	TORSION SPRING L	1	PC.
44			263032-0	RUBBER PIN 4	2	PC.
45			419307-7	FRONT COVER	1	PC.
46			265995-6	TAPPING SCREW 4X18	2	PC.
100			654510-5	INSULATED CONNECTOR 5.5-SD	2	PC.
E01			620122-6	CONTROLLER (Added)	1	PC.

ACCESSORIES

- See catalogue or visit www.makita.ca for optional accessory -

A01	1		125112-9	SHEAR HEAD ASS'Y W/O LABEL	1	PC.
		INC.		Item No. 3, 6, 8, A02 - A04		
	2		125849-8	SHEAR HEAD ASS'Y W/LABEL	1	PC.
		INC.		Item No. 3, 6, 8, A02 - A04		
		INC.	808046-8	INDICATION LABEL	1	PC.
A02			792742-7	SIDE BLADE R	1	PC.
A03			792744-3	CENTER BLADE	1	PC.
A04			792743-5	SIDE BLADE L	1	PC.
A05			281220-7	HOOK	1	PC.

Item No	Type	Ref	Re Part No	Description	Qty	Unit
A06			783202-0	HEX. WRENCH 4	1	PC.
A07			194205-3	18V LI-ION BATTERY BL1830	2	PC.
A08			450128-8	BATTERY COVER	1	PC.
A09	1		DC18RA	CHARGER DC18RA	1	PC.
	2		DC18RC	CHARGER DC18RC	1	PC.
A10	1		824756-9	PLASTIC CARRYING CASE	1	PC.

SERVICE CHANGES

1. Changes on Switch, Terminal and Housing Set (Battery Protection Circuit)

(T/I#84038)

(T/I# 93030)

Item No.	Description	Type 1	Type 2	Type 3
38	Switch		650575-5	650670-1
39	Terminal	643812-4	643843-3	643860-3
21	Housing Set		188540-9	187480-8
E01	Controller	---	---	620122-6

Above parts are completely interchangeable as a set.

Service Note:

• Use **Type 3** parts for repair of the model manufactured on or after December 2011 with using **Yellow lead wire between Controller and Terminal.**

• Use Type 1-2 for repair of the model manufactured before December 2011 without using Yellow lead wire between Controller and Terminal.

**** See Technical Information #93030 for Wiring Diagram Change**